

Lilli Gyldenkildes Torv

Student housing in central Horsens!

Regional office Kolding
Pakhusstovet 4
6000 Kolding
Phone: 38 12 14 35



Lilli Gyldenkildes Torv

In the center of Horsens, Lejerbo Horsens has build 248 family homes and 101 student homes in the new area around Lilli Gyldenkildes Torv.

The student housings are all one-room apartments in a modern, light design.

The apartments were ready for move-in by January 2021.

If you are interested in these apartments, visit www.lejerbo.dk/LilliEnglish to sign up on the free waiting list or call us at +45 38 12 14 35.

Facts

Number of rooms: 1 bedroom

Area in m²: 44-49 m²

Area: Horsens town centre



Contents

THE SURROUNDINGS	3
OVERVIEW	4
THE HOMES	5
FLOOR PLANS	6

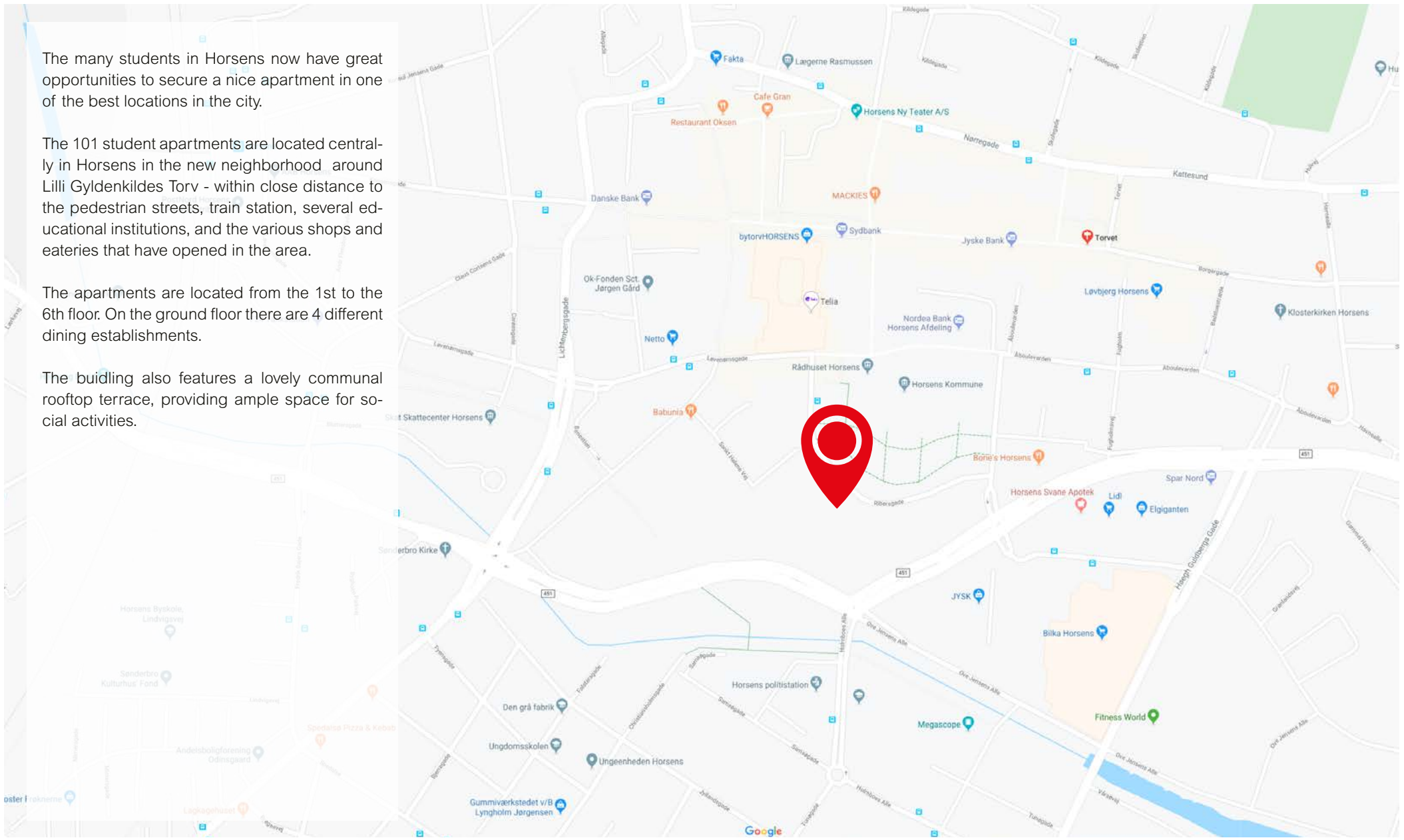
The surroundings

The many students in Horsens now have great opportunities to secure a nice apartment in one of the best locations in the city.

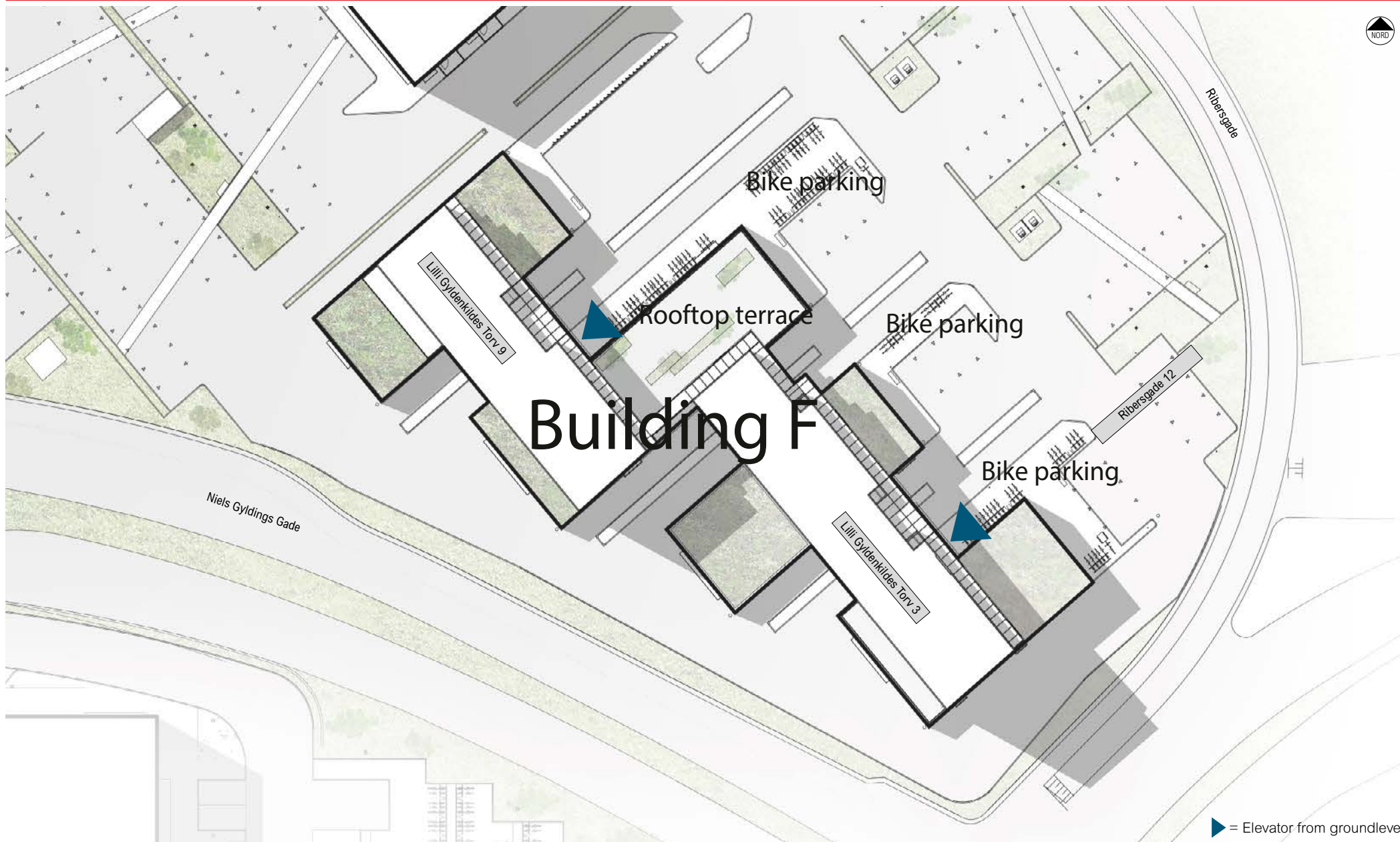
The 101 student apartments are located centrally in Horsens in the new neighborhood around Lilli Gyldenildes Torv - within close distance to the pedestrian streets, train station, several educational institutions, and the various shops and eateries that have opened in the area.

The apartments are located from the 1st to the 6th floor. On the ground floor there are 4 different dining establishments.

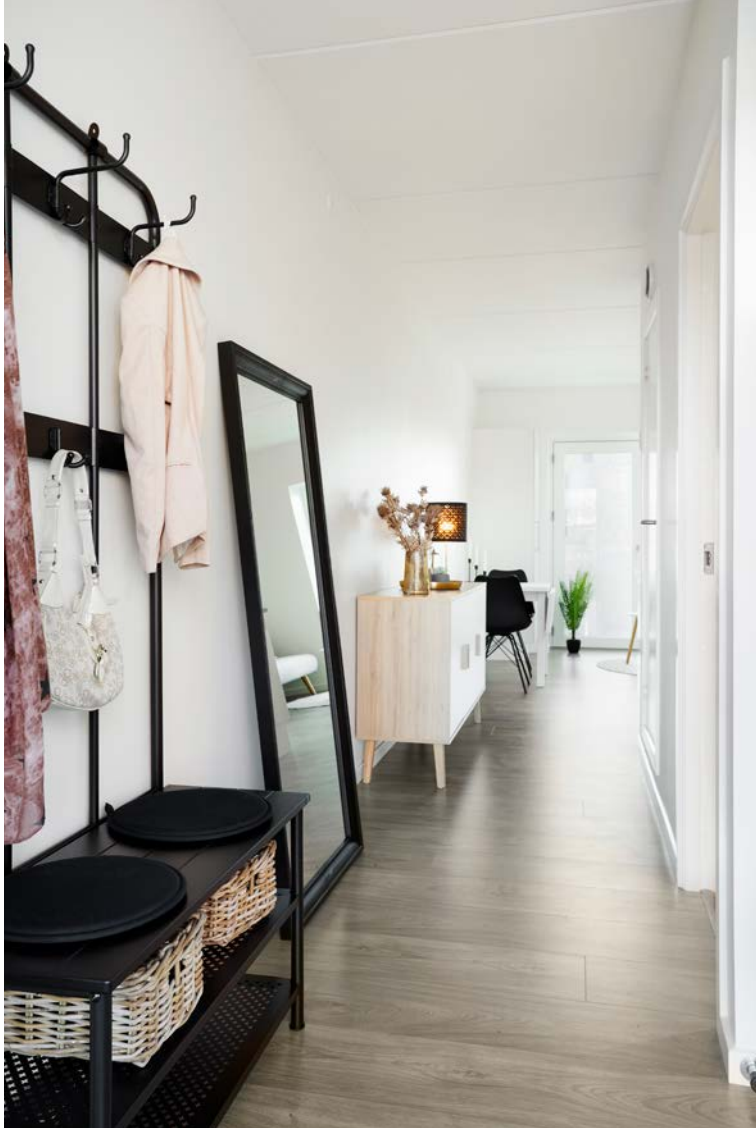
The building also features a lovely communal rooftop terrace, providing ample space for social activities.



Overview



The homes



All 101 student apartments are located in the same building in the south-eastern part of Lilli Gyldenildes Torv.

Each apartment has a spacious entrance hall, with built-in storage closet in some units. All apartments also have a private storage room accessible from the entrance.

The core of the apartment is a combined kitchen-living area with ample space to set up a sleeping area as well.

The kitchen is equipped with two stovetops, an extractor hood, fridge-freezer and kitchen cabinets.

The bathrooms are kept in light, welcoming colours both on the walls, floor, and in the shower cabin.

There is underfloor heating throughout the entire apartment.



Bicycle parking is available at ground level.

All residents have access to a shared laundry room on the 2nd floor and the roof terrace.

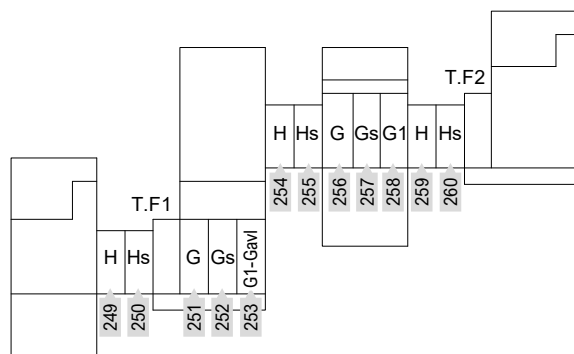
TV/Internet

Yousee has installed fiber lines in the apartments, but residents can choose other providers if desired.

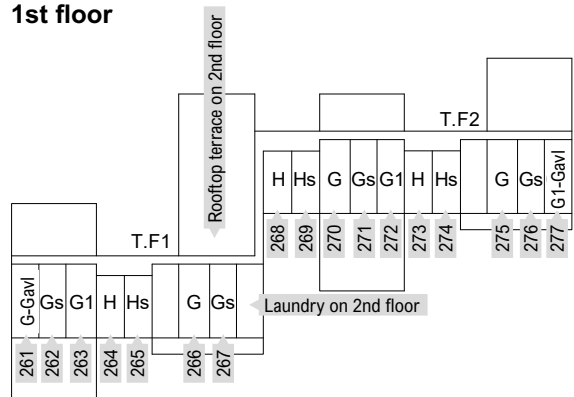
Pets

One dog or one cat is allowed per apartment.

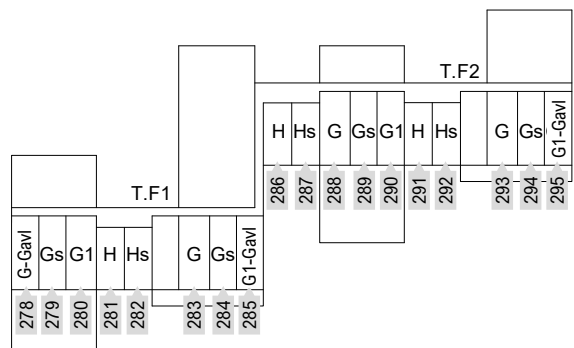
Overview - BUILDING F



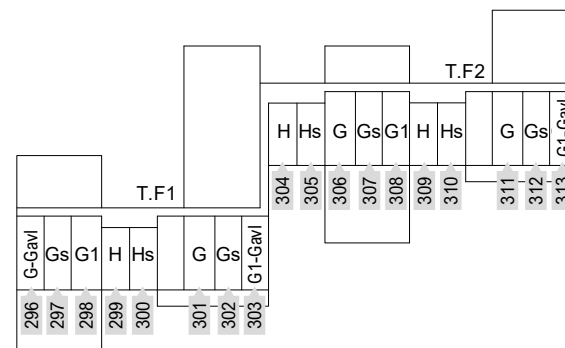
1st floor



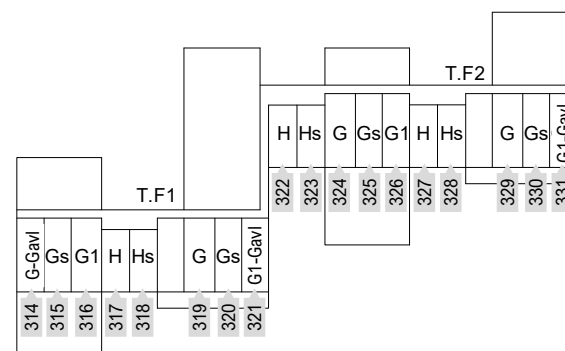
2nd floor



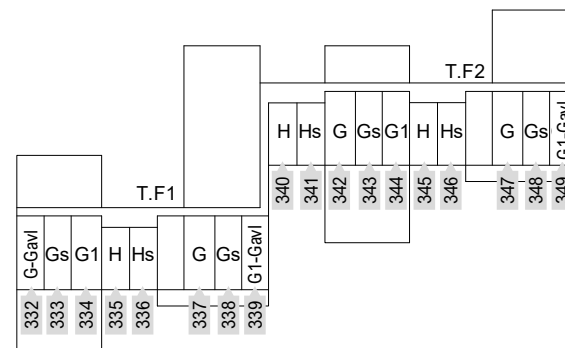
3rd floor



4th floor



5th floor

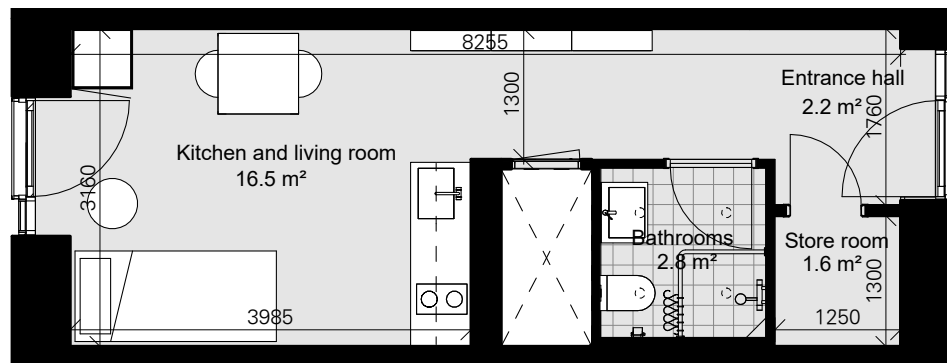


6th floor

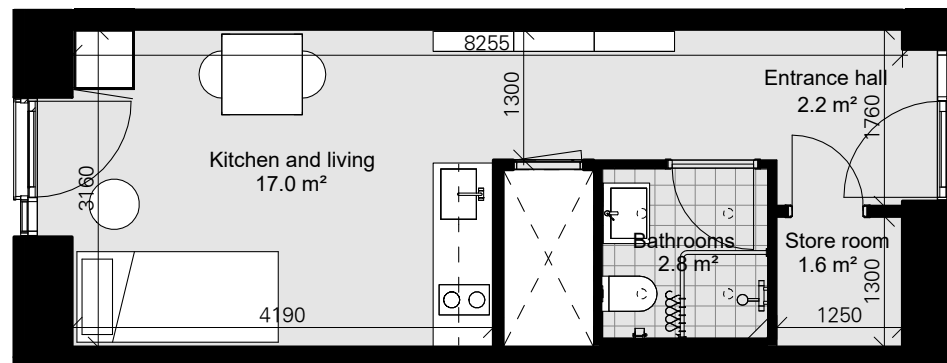


Floor Plans - G, Gs and G1

Accommodation type G
Accommodation type Gs is reversed
1 bedr. 44-48 m²



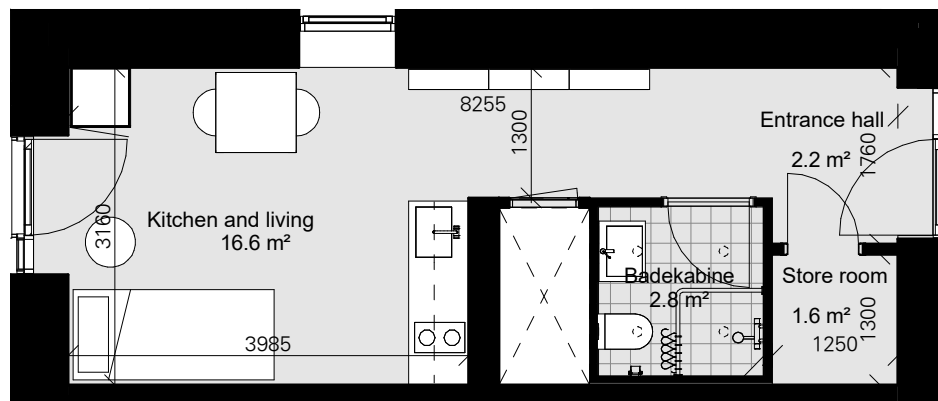
Accommodation type G1
1 bedr. 44-48 m²



Floor Plans - G-Gavl and G1-Gavl

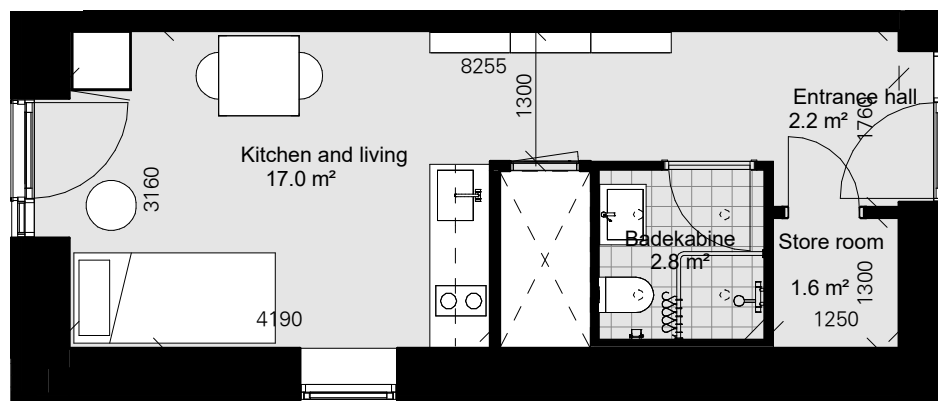
Accommodation type G-Gavl

1 bedr. 44-48 m²



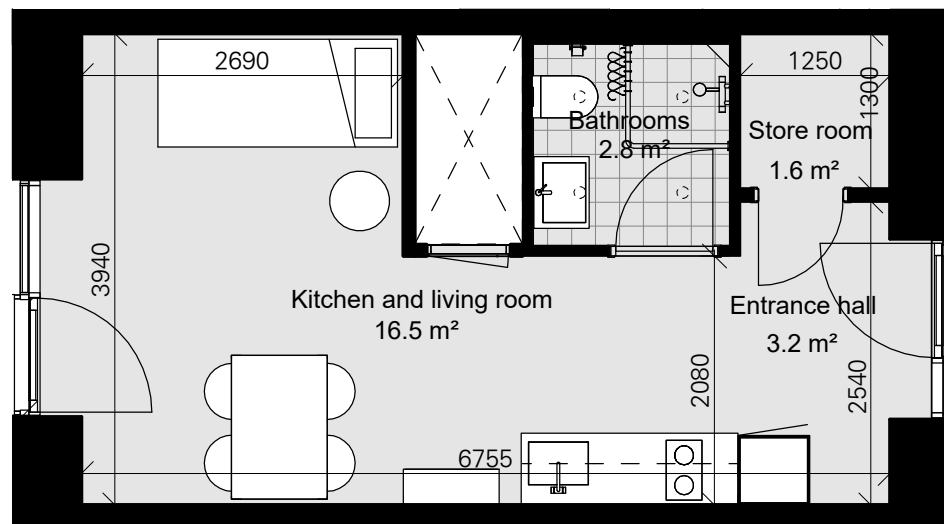
Accommodation type G1-Gavl

1 bedr. 44-48 m²



Floor Plan - H and HS

Accommodation type H
Accommodation type Hs is reversed
1 bedr., 45-49 m²



**If you are interested in the homes,
go to www.lejerbo.dk/LilliEnglish to sign up on the free
waiting list, send us an email at kolding@lejerbo.dk or call
us on 38 12 14 35.**

